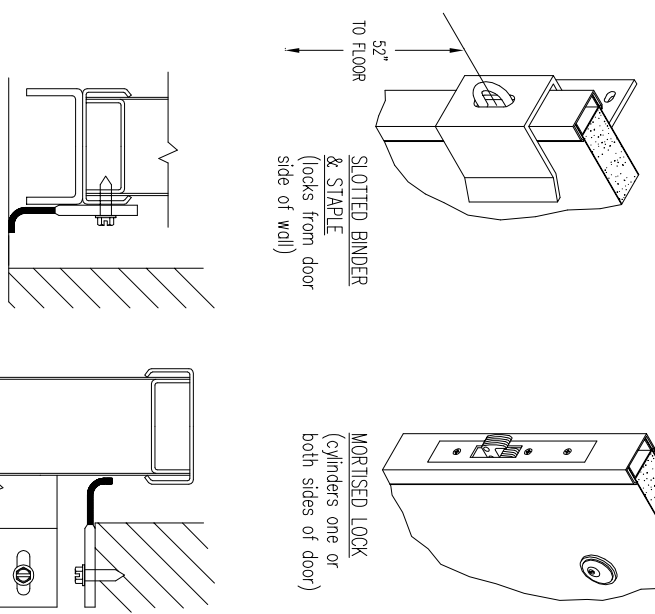
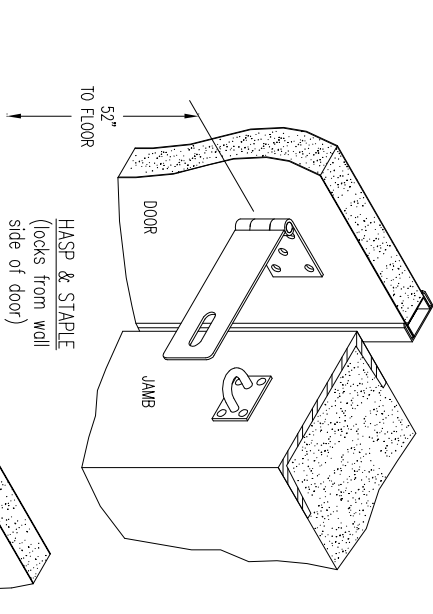


ALTERNATE CLOSING SYSTEMS

SAINO SERIES 1000
SAINO SERIES 2000, 250 F. TEMP. RISE
 U.L. LABELED MODULAR DOORS



OPTIONAL ITEMS

JOB	CUSTOMER NO.:	NO. PRINTS	FOR	DATE	REVISED
SOLD TO	CHASE ORDER NO.:				
	DRAWN BY:				
	SHEET _____ OF _____				

Chase Doors
 Tel: (800) 543-4455
 www.chasedoors.com
 FAX: (800) 978-6570