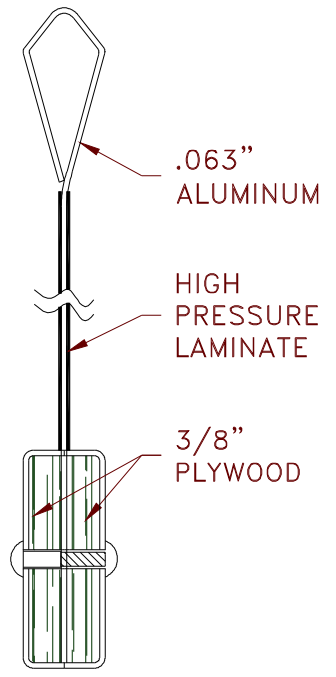


BACK EDGE REINFORCEMENT SPINE



SECTION "AA" OF DOOR

**SPECIFICATIONS:**

DOORS SHOWN AS ALUMINUM SHEET STYLE SERVICE DOORS, DOUBLE ACTING, SHALL BE MODEL SD-2000 CAFE DOORS AS MANUFACTURED BY CHASE INDUSTRIES, INC., CINCINNATI, OHIO, TO FIT DOOR OPENING \_\_\_\_\_ WIDE BY \_\_\_\_\_ HIGH.

DOOR SHALL BE CONSTRUCTED OF .063" THICK ALUMINUM WITH HIGH-PRESSURE LAMINATE, BOTH SIDES.

SPECIFY COLOR AND NUMBER OF LAMINATE: \_\_\_\_\_

DOOR TO HAVE 1" THICK x 2.5" WIDE BACK EDGE REINFORCEMENT SPINE. BACK EDGE SPINE SHALL HAVE PLYWOOD CORE AND BE CLAD WITH PROPER ALUMINUM TO MATCH DOOR BODY.

COMPLETE WITH CHASE GRAVITY-OPERATED HINGING SYSTEM WITH 5/8" DIAMETER STEEL HINGE PIN AND 1" DIAMETER DELRIN CAM. BOTH TOP AND BOTTOM HINGES HAVE 3/16" THICK STEEL ANGLE AND MOUNT DIRECTLY THROUGH DOOR BODY.

NO WINDOW (VISION PANEL)

NO IMPACT PLATES

BUMPER OPTIONS (BOTH SIDES ONLY):

PVC STRIP (SPECIFY COLOR) \_\_\_\_\_  ALUM. STRIP (SPECIFY LOCATION) \_\_\_\_\_

MODEL # SD2002, CAFE BIPARTING SHEET STYLE SERVICE DOOR



**Chase Doors**  
 World's Leading Manufacturer Of Traffic Doors  
 Cincinnati Ohio, and Redmond Oregon  
 Phone Toll Free: 1-800-543-4455

DATE: 7/21/00 CHASE APPROVAL

FORM # SD4061 REV. B

©COPYRIGHT 2000 CHASE INDUSTRIES, INC. SPECIFICATIONS SUBJECT TO CHANGE WITHOUT NOTICE.  
 1 800-543-4455  
 www.chasedoors.com

CUSTOMER INFORMATION: