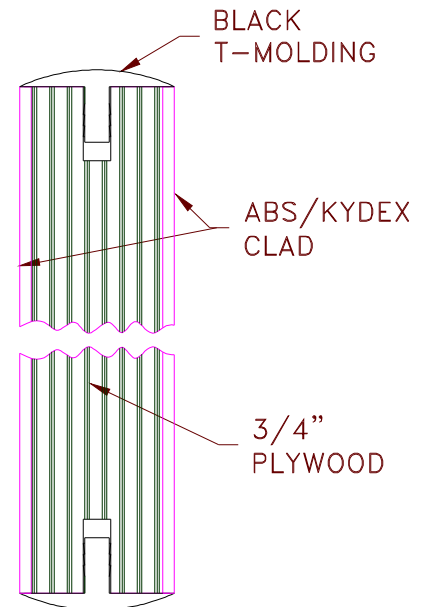


VIEW "AA"
(ALUMINUM CLAD)



VIEW "AA"
(ABS/KYDEX CLAD)

SPECIFICATIONS:

DOOR SHOWN AS SOLID CORE STYLE SERVICE DOOR, DOUBLE ACTING, SHALL BE MODEL SC-3000 CAFE DOOR AS MANUFACTURED BY CHASE INDUSTRIES, INC., CINCINNATI, OHIO, TO FIT DOOR OPENING _____ WIDE BY _____ HIGH.

DOOR SHALL BE CONSTRUCTED OF 3/4" THICK 7-PLY PLYWOOD CORE WITH .032" THICK ANODIZED ALUMINUM CLADDING, BOTH SIDES (STANDARD). THE PERIMETER EDGES TO BE 18 GAUGE STAINLESS STEEL EDGE TRIM (STANDARD).

- OPTIONAL ABS/KYDEX CLADDING:
(SPECIFY COLOR:) FOREST GREEN JADE
 CADET BLUE WHITE GRAY CLOUD GRAY
 CHOCOLATE RED MEDIUM BROWN NAVY
 ROYAL BLUE BLACK BEIGE BURGUNDY
- OPTIONAL BLACK T-MOLDING EDGE TRIM.

COMPLETE WITH CHASE GRAVITY-OPERATED HINGING SYSTEM WITH 5/8" DIAMETER STEEL HINGE PIN AND 1" DIAMETER DELRIN CAM. BOTH TOP AND BOTTOM HINGES HAVE 3/16" THICK STEEL ANGLE AND MOUNT DIRECTLY THROUGH DOOR BODY.

SPECIFY RIGHT OR LEFT HAND SWING

NO WINDOW (VISION PANEL)

NO IMPACT PLATES

BUMPER OPTIONS (BOTH SIDES): YES NO
 PVC STRIP (SPECIFY COLOR) _____ ALUM. STRIP (SPECIFY LOCATION) _____

MODEL # SC-3000, CAFE SINGLE PANEL
SOLID CORE STYLE RETAIL SERVICE DOOR

©COPYRIGHT 2000
CHASE INDUSTRIES, INC.
SPECIFICATIONS SUBJECT TO
CHANGE WITHOUT NOTICE.
1 800-543-4455
www.chasedoors.com

CUSTOMER INFORMATION:

Chase Doors
World's Leading Manufacturer Of Traffic Doors
Cincinnati Ohio, and Redmond Oregon
Phone Toll Free: 1-800-543-4455

DATE: 6/21/00 CHASE APPROVAL

FORM # SD4053

REV.
B