



"C-Hinge" Installation Instructions

STEP #1

Check door jamb and lintel for plumb and squareness before beginning installation (See "Figure 1-A"). **Opening must be square and plumb for proper operation.** Minimum jamb width to be 4-1/2", with a minimum double 2X4 wood construction or equivalent. Hollow metal jambs must be reinforced at hinge locations.

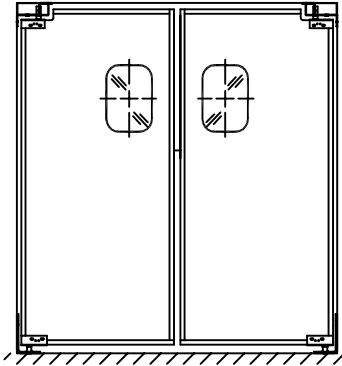


Figure 1-A

STEP #2

For metal jambs, using the paper template provided, mark and drill four 13/64"Ø holes (two in jamb and two in lintel) (See Figure 2-A).

For wooden jambs, using the paper template provided, mark and drill four 7/64" Ø holes (two in jamb and two in lintel) (See Figure 2-A).

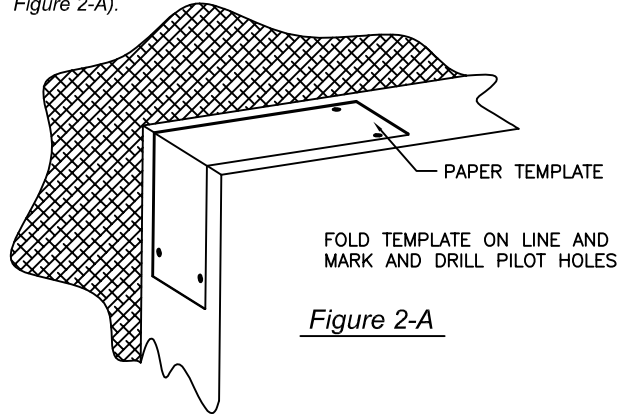


Figure 2-A

STEP #3

Install lower hinge pin to center of jamb (at floor) using self-drilling/tapping screws provided (See "Figure 3-A").

NOTE: Lower Hinge Pin must be Plumb with upper hinge for proper swing and operation. Install floor anchors/bolts (not provided).

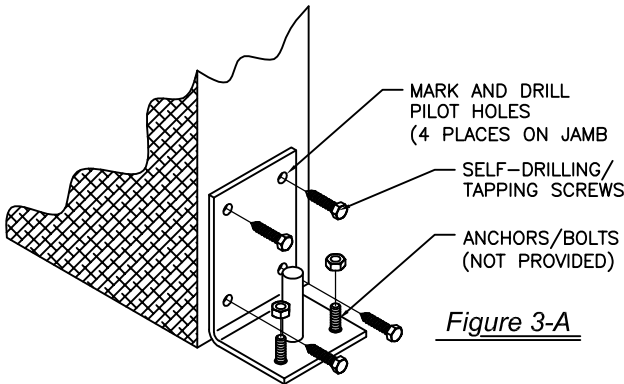


Figure 3-A

STEP #4

a) Position door panel so that the pin receptacle on the bottom of the door is on the lower hinge pin (installed) (see figure 4-A).

b) Using the self-drilling/tapping screws provided, install top hinge to jamb and lintel (see figure 4-A).

Note: it is helpful to place a 1" wooden block beneath the bottom of the door during these steps (see figure 4-A).

c) Make sure that all mounting hardware is securely attached and tightened.

d) Remove 1" wooden block

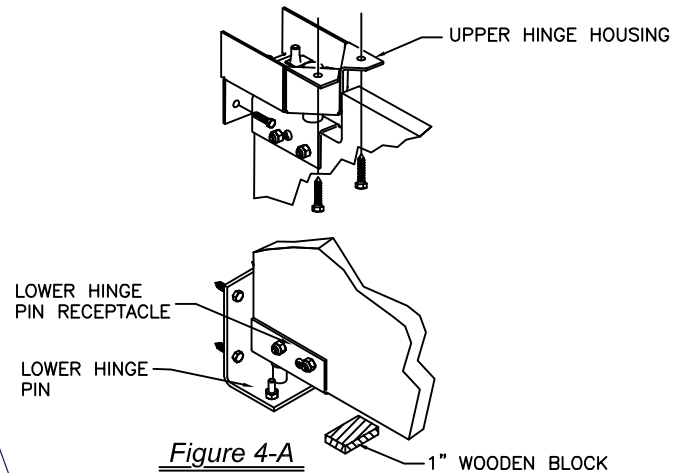


Figure 4-A

STEP #5

a) Location of upper hinge is set at factory and will be correct for most applications. (see fig. 5-A)

b) However, the elongated slots in upper hinge saddle will permit adjustments to compensate for most abnormalities in the jamb. (see fig. 5-A)

c) if this adjustment is needed, remove small self-tapping screw from upper hinge saddle, and loosen 1/4-20 bolts. (see fig. 5-A)

d) Move door panel to desired position and retighten 1/4-20 bolts. (see fig. 5-A)

e) Self-tapping screw must be reinstalled on opposite side of upper hinge saddle. (see fig. 5-A)

f) Drill 1/8" hole in panel through small hole in hinge saddle and install screw. (see fig. 5-A)

Important- Lower hinge location is set at factory. do not attempt to adjust lower hinge pin receptacle. (see fig. 4-A)

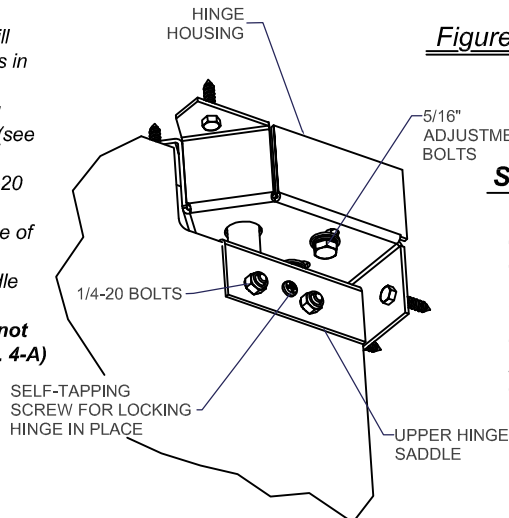


Figure 5-A

STEP #6

Important- Align door panel to position desired and tighten 5/16" adjustment bolts on bottom of hinge housing. (see fig. 5-A)

To adjust closed door position, loosen the adjustment bolts. Move door to desired position, and retighten the adjustment bolts. (see fig. 5-A)